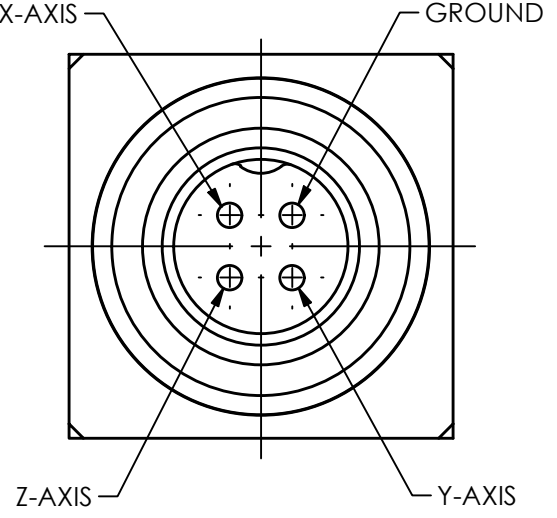
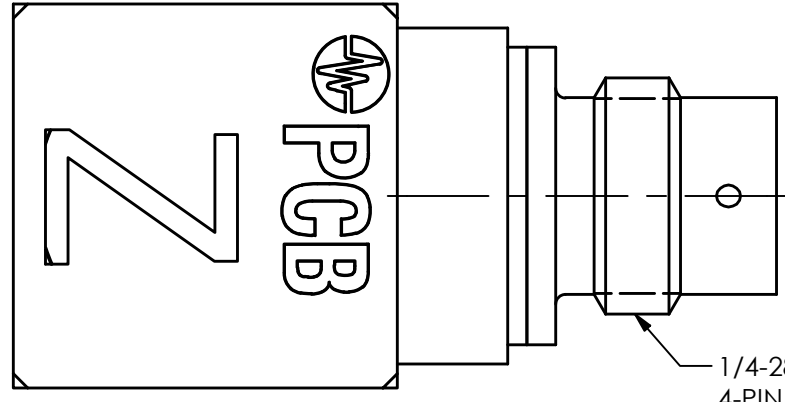
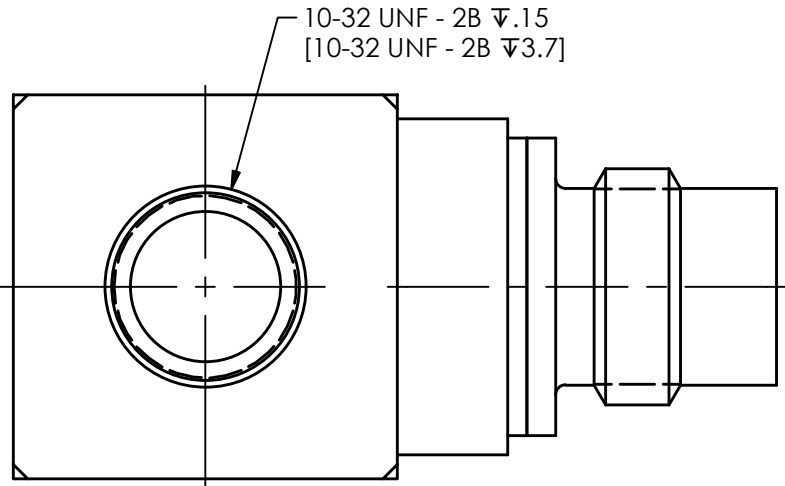
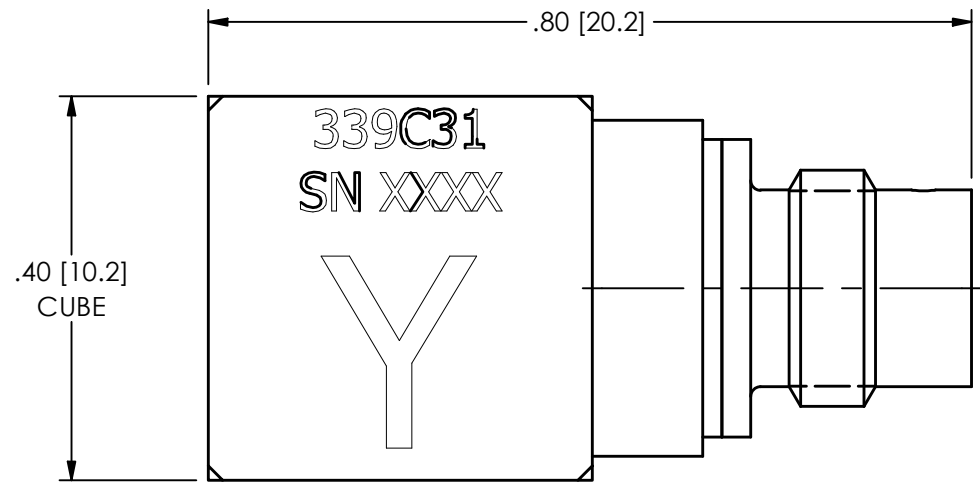
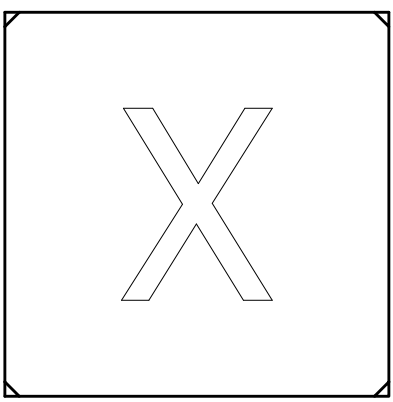
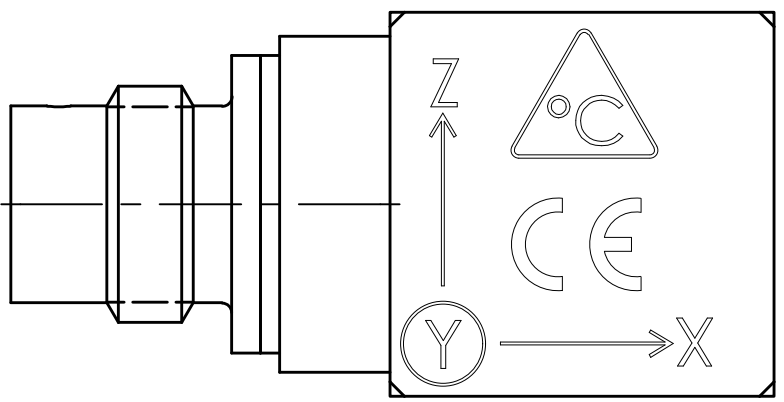


79154

PCB Piezotronics Inc. claims proprietary rights in the information disclosed hereon. Neither it nor any reproduction thereof will be disclosed to others without the written consent of PCB Piezotronics Inc.

REVISIONS		
REV	DESCRIPTION	DIN
NR	RELEASED TO DRAFTING	54773



UNLESS OTHERWISE SPECIFIED TOLERANCES ARE:		DRAWN		CHECKED		ENGINEER	
DIMENSIONS IN INCHES		JDM	4/22/24	JDM	4/22/24	MJB	4/22/24
DECIMALS XX ±.03 XXX ±.010		TITLE					
ANGLES ± 2 DEGREES							
CABLE TOLERANCES IN ENGLISH		OUTLINE DRAWING MODEL 339C31 TRIAxIAL ACCELEROMETER					
1" ≤ LENGTH < 1' = +1' / - 0							
1' ≤ LENGTH < 5' = +2' / - 0							
5' ≤ LENGTH < 100' = +6' / - 0							
100' ≤ LENGTH = +1' / - 0		SCALE: 5X SHEET 1 OF 1					
FILLETS AND RADII .003 - .005		FILLETS AND RADII 0.07 - 0.13					

PCB PIEZOTRONICS
AN AMPHENOL COMPANY

3425 WALDEN AVE. DEPEW, NY 14043
(716) 684-0001 E-MAIL: sales@pcb.com

CODE IDENT. NO. 52681	SIZE B	DWG. NO. 79154
--------------------------	-----------	-------------------