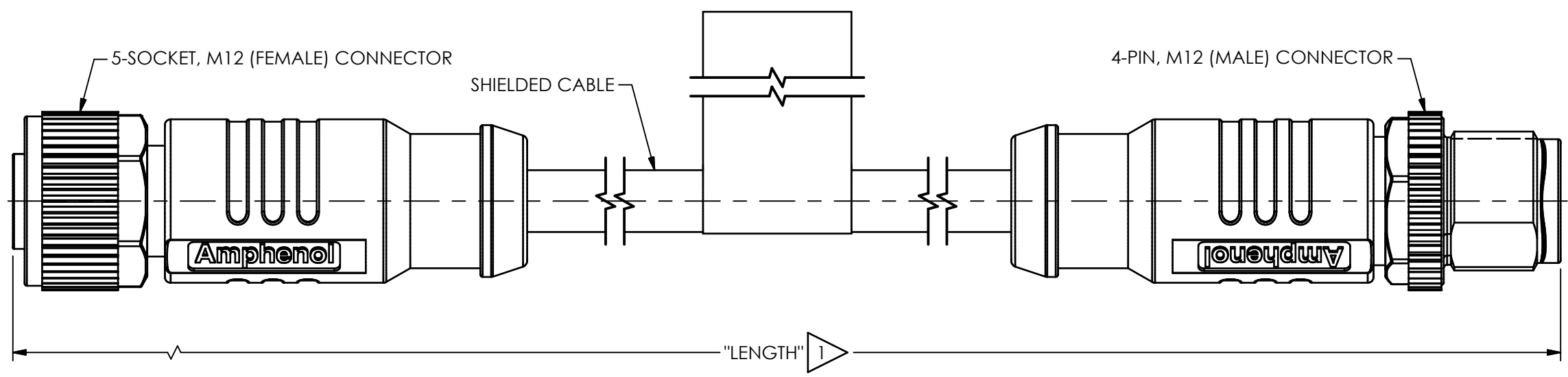


78708

PCB Piezotronics Inc. claims proprietary rights in the information disclosed hereon. Neither it nor any reproduction thereof will be disclosed to others without the written consent of PCB Piezotronics Inc.

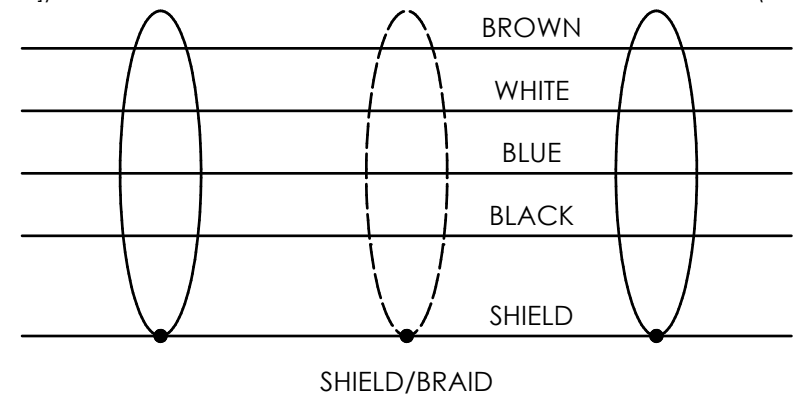
REVISIONS		
REV	DESCRIPTION	DIN
NR	RELEASED TO DRAFTING	54740



**SCHEMATIC DIAGRAM**

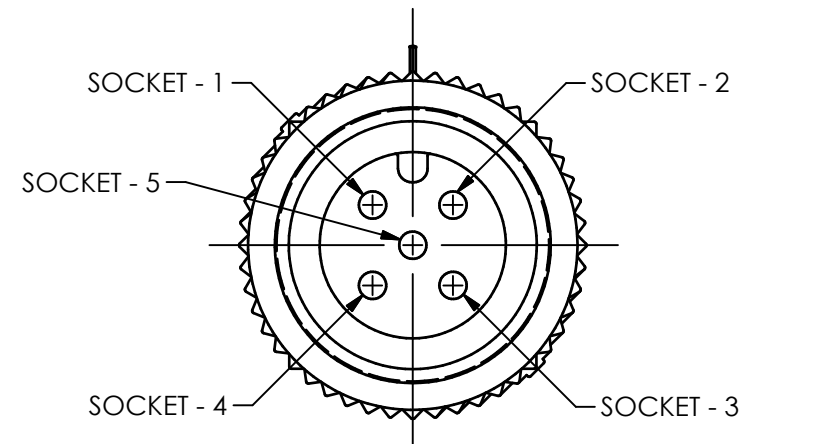
CONNECTOR CONTACT (5-SOCKET, M12 [FEMALE])

- SOCKET - 1
- SOCKET - 2
- SOCKET - 3
- SOCKET - 4
- SOCKET - 5 (N/C)
- SHELL/NUT

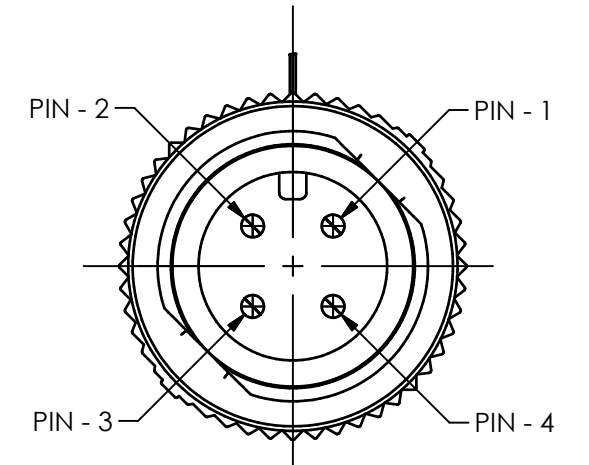


CONNECTOR CONTACT (4-PIN, M12 [MALE])

- PIN - 1
- PIN - 2
- PIN - 3
- PIN - 4
- SHELL/NUT



**5-SOCKET, M12 (FEMALE) CONNECTOR**  
SCALE 3X



**4-PIN, M12 (MALE) CONNECTOR**  
SCALE 3X

1 LENGTH OF CABLE ASSEMBLY SPECIFIED BY PCB ITEM NUMBER VARIATION. (XX = LENGTH IN FEET)  
[EXAMPLE: P/N 530A10 IS 10 FEET LONG]

UNLESS OTHERWISE SPECIFIED TOLERANCES ARE:		DRAWN		CHECKED		ENGINEER	
DIMENSIONS IN INCHES		NJF	04/05/24	JDM	04/05/24	GCD	04/05/24
DECIMALS XX ±.03 XXX ±.010		TITLE					
ANGLES ± 2 DEGREES		OUTLINE DRAWING 530AXX SERIES CABLES					
CABLE TOLERANCES IN ENGLISH		CABLE TOLERANCES IN METRIC					
1" ≤ LENGTH < 1' = +1"/-0		2.54cm ≤ LENGTH < 30.5cm = +2.54cm/-0					
1' ≤ LENGTH < 5' = +2"/-0		30.5cm ≤ LENGTH < 1.5m = +5.1cm/-0					
5' ≤ LENGTH < 100' = +6"/-0		1.5m ≤ LENGTH < 30.5m = +15.2cm/-0					
100' ≤ LENGTH = +1"/-0		30.5m ≤ LENGTH = +30.5cm/-0					
FILLETS AND RADII .003 - .005		FILLETS AND RADII 0.07 - 0.13					

530AXX	XX
PCB ITEM NUMBER	VAR
<b>PCB PIEZOTRONICS</b> AN AMPHENOL COMPANY	
3425 WALDEN AVE. DEPEW, NY 14043 (716) 684-0001 E-MAIL: sales@pcb.com	
CODE IDENT. NO. 52681	DWG. NO. 78708
SCALE: 2.25X	SHEET 1 OF 1