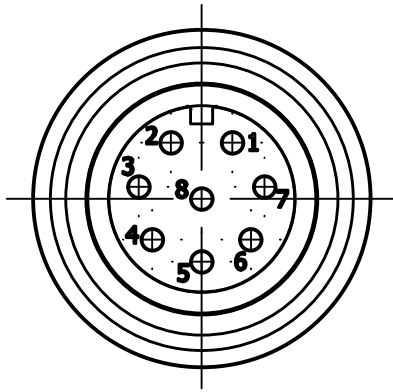
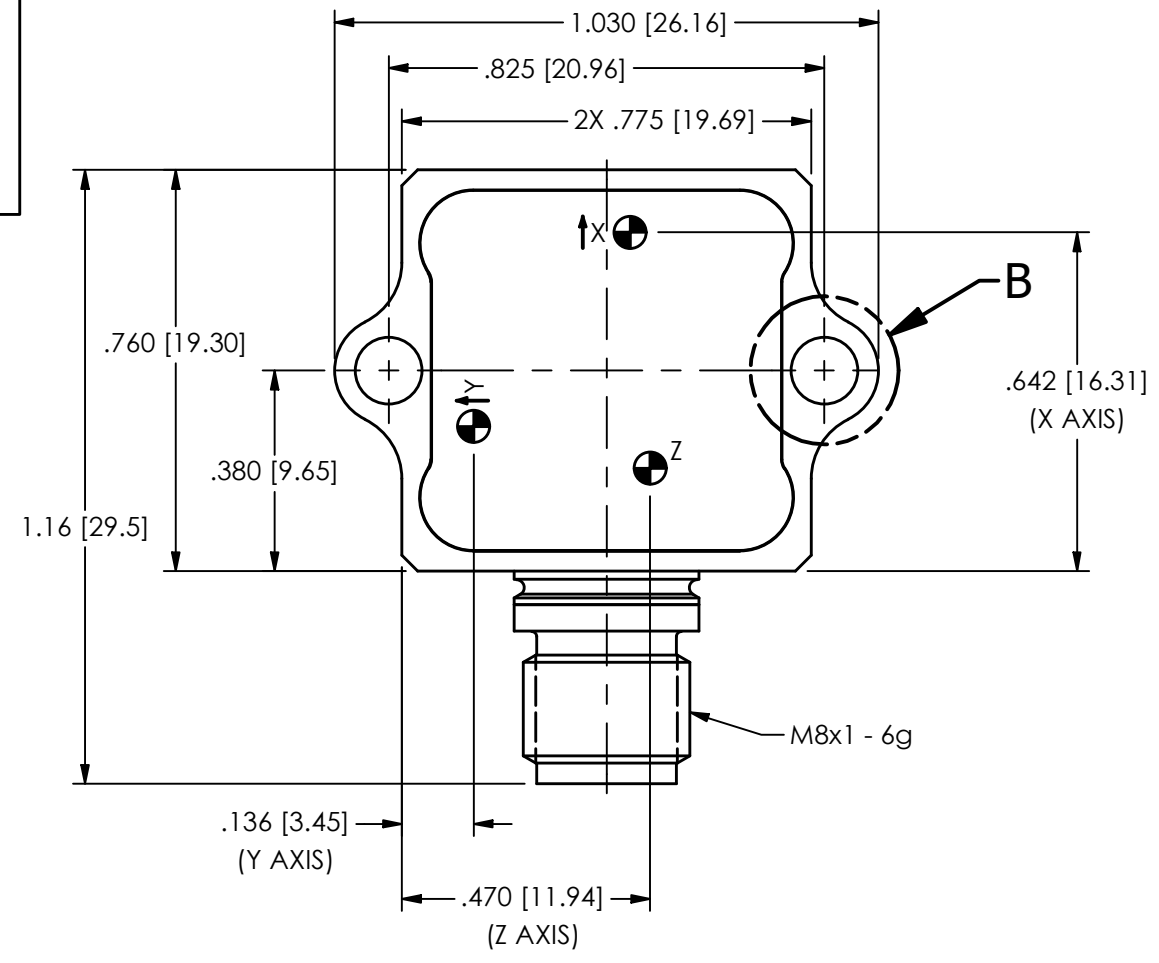


PCB Piezotronics Inc. claims proprietary rights in the information disclosed hereon. Neither it nor any reproduction thereof will be disclosed to others without the written consent of PCB Piezotronics Inc.

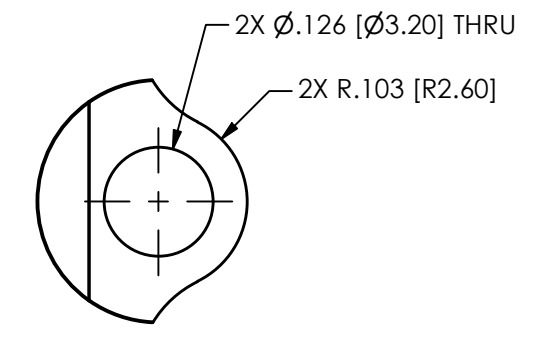
77804

REVISIONS		
REV	DESCRIPTION	DIN
A	CORRECTED (2+) TO (Z+)	55426

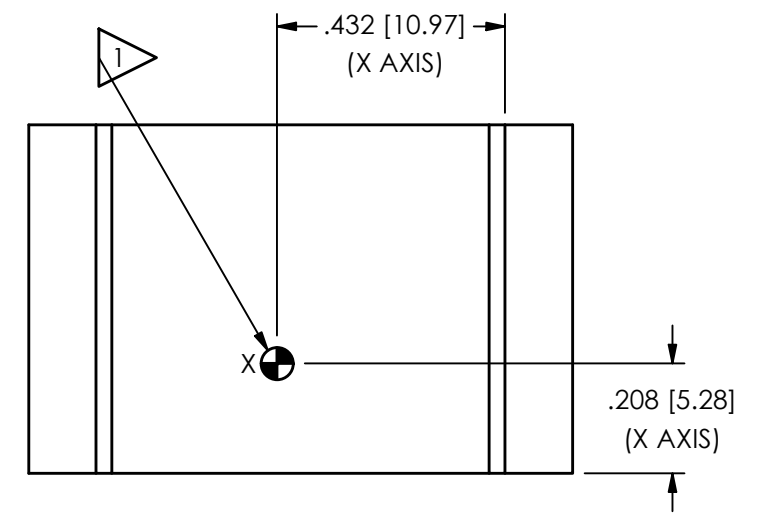
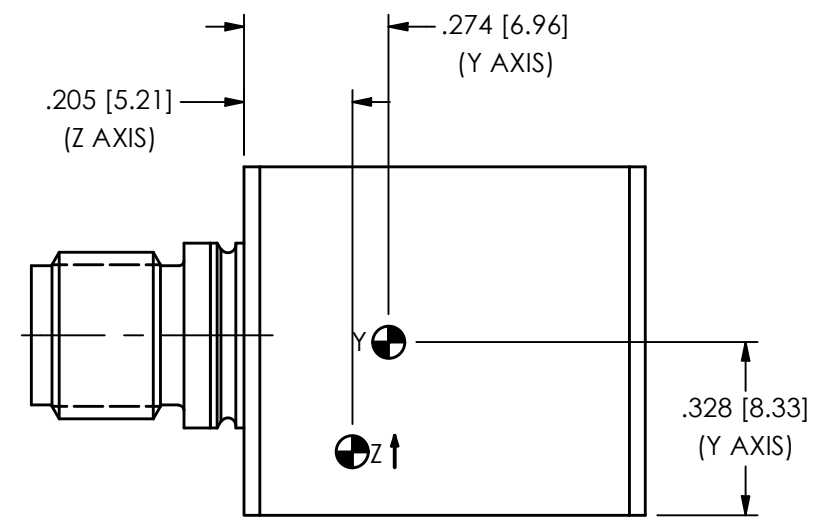
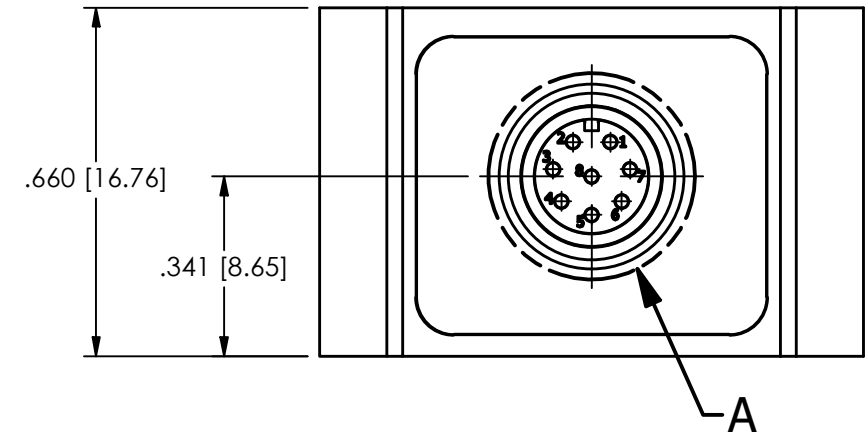


DETAIL A
SCALE 4.5X

DESIGNATOR	AXIS
PIN 1	(Z+)
PIN 2	(GROUND)
PIN 3	(Y+)
PIN 4	(Y-)
PIN 5	(Z-)
PIN 6	(X+)
PIN 7	(X-)
PIN 8	(POWER)



DETAIL B
SCALE 4.5X



1 SYMBOL REPRESENTS CENTER OF GRAVITY

UNLESS OTHERWISE SPECIFIED TOLERANCES ARE:		DRAWN		CHECKED		ENGINEER		PCB PIEZOTRONICS		
DIMENSIONS IN INCHES		AME	12/6/24	JDM	12/6/24	JJD	12/6/24	AN AMPHENOL COMPANY		
DECIMALS XX ±.03 XXX ±.010		TITLE						3425 WALDEN AVE. DEPEW, NY 14043		
ANGLES ± 2 DEGREES								OUTLINE DRAWING		
CABLE TOLERANCES IN ENGLISH		MODEL 3743G11						CODE IDENT. NO.	SIZE	DWG. NO.
1" ≤ LENGTH < 1' = +1' / - 0								52681	B	77804
1' ≤ LENGTH < 5' = +2" / - 0		SCALE: 2.75X		SHEET 1 OF 1						
5' ≤ LENGTH < 100' = +6" / - 0										
100' ≤ LENGTH = +1' / - 0										
FILLETS AND RADII .003 - .005										
FILLETS AND RADII 0.07 - 0.13										