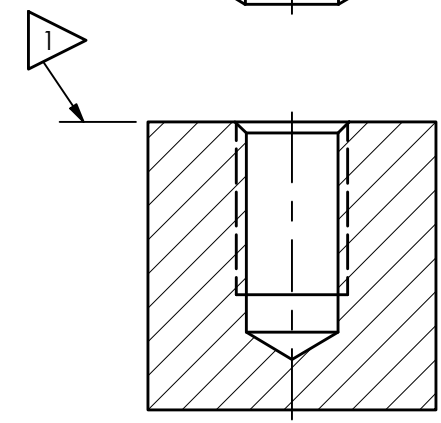
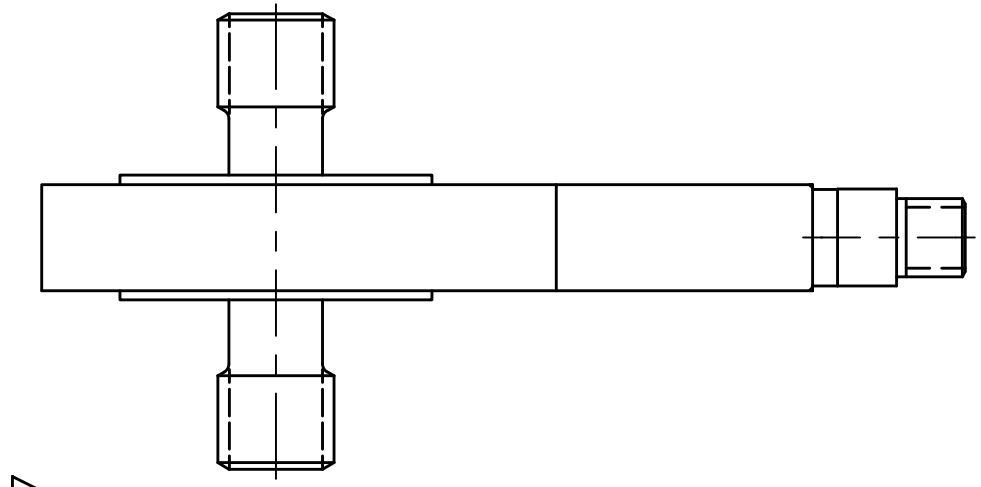
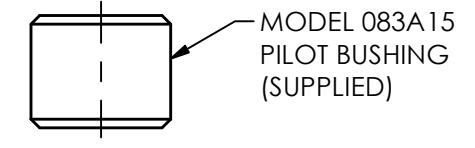
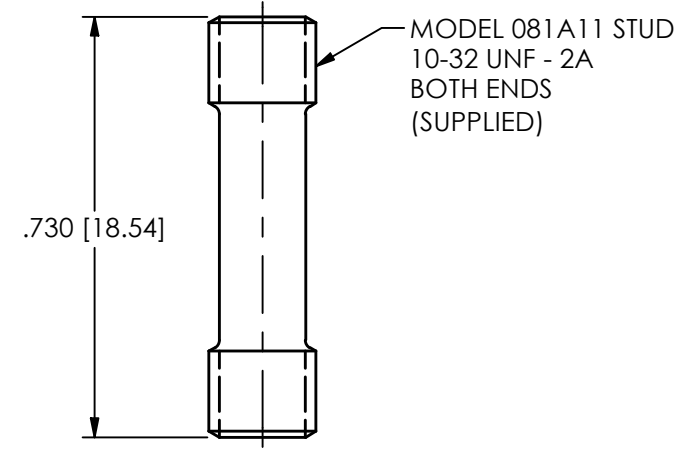
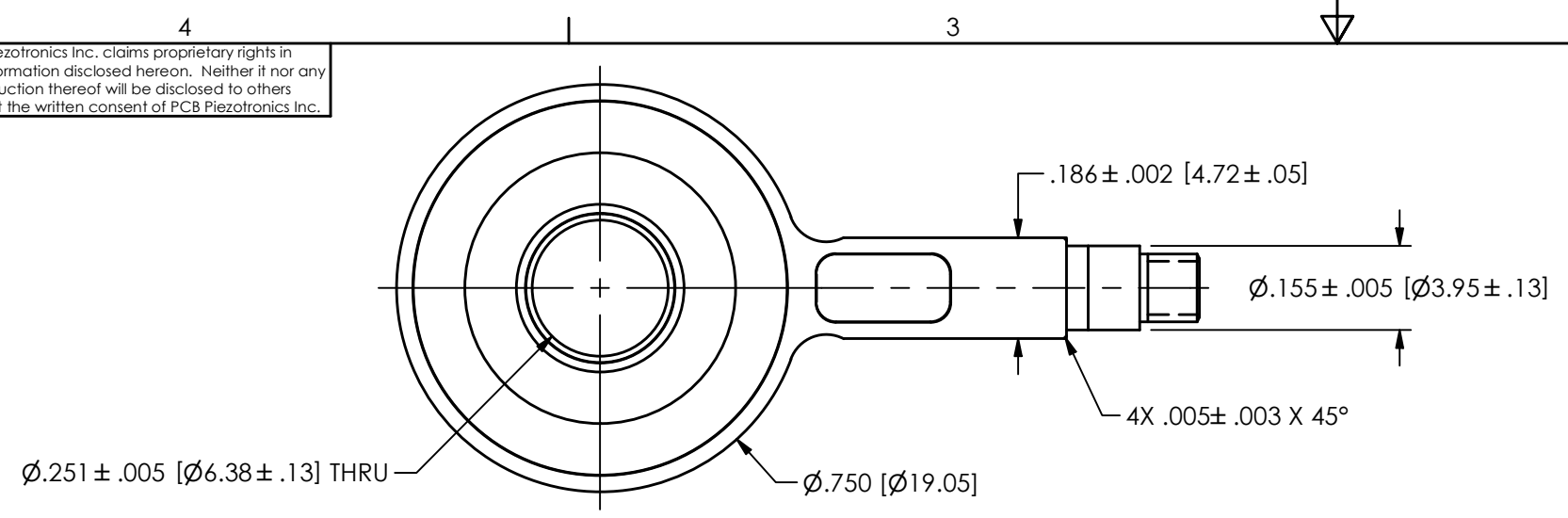


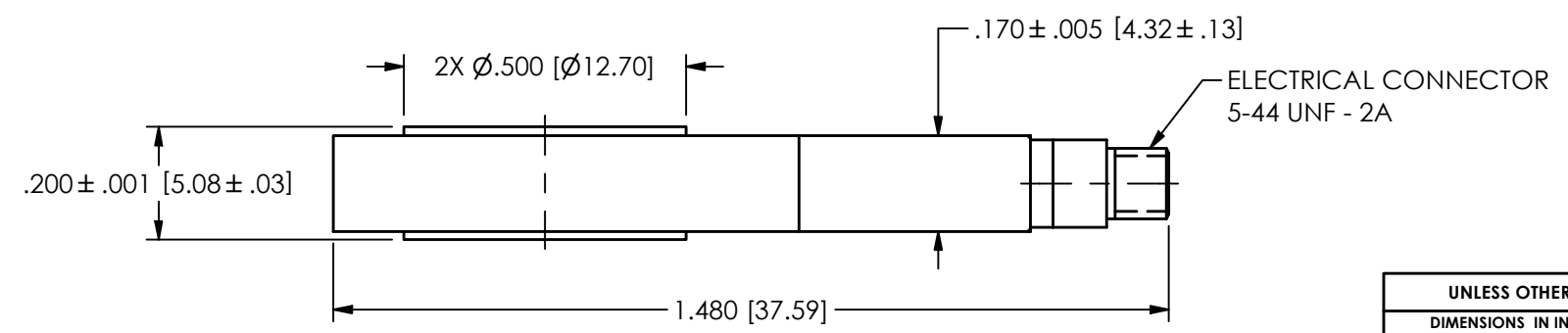
75647

PCB Piezotronics Inc. claims proprietary rights in the information disclosed hereon. Neither it nor any reproduction thereof will be disclosed to others without the written consent of PCB Piezotronics Inc.

REVISIONS		
REV	DESCRIPTION	DIN
B	FIXED 5-44 THREAD TYPE	55131



MOUNTING HOLE PREPARATION
 $\varnothing.159 [4.04] \nabla.365 [9.27]$
 10-32 UNF - 2B $\nabla.300 [7.62]$



1 MOUNTING SURFACES SHOULD BE FLAT WITHIN .003 [.08] T.I.R. OVER $\varnothing.500 [12.70]$ WITH A SURFACE FINISH OF 63 [1.6]

UNLESS OTHERWISE SPECIFIED TOLERANCES ARE:		DRAWN		CHECKED		ENGINEER		PCB PIEZOTRONICS		
DIMENSIONS IN INCHES		PST	8/12/24	JDM	8/12/24	MJP	8/12/24	AN AMPHENOL COMPANY		
DECIMALS XX ± .01	DIMENSIONS IN MILLIMETERS [IN BRACKETS]	TITLE						3425 WALDEN AVE. DEPEW, NY 14043		
XXX ± .005	DECIMALS X ± 0.3							INSTALLATION DRAWING		
ANGLES ± 2 DEGREES	DECIMALS XX ± 0.13	MODEL 201B76						CODE IDENT. NO.	SIZE	DWG. NO.
CABLE TOLERANCES IN ENGLISH	ANGLES ± 2 DEGREES							52681	B	75647
1" ≤ LENGTH < 1' = +1' / - 0	CABLE TOLERANCES IN METRIC	FORCE SENSOR						SCALE:	3X	SHEET 1 OF 1
1' ≤ LENGTH < 5' = +2" / - 0	2.54cm ≤ LENGTH < 30.5cm = +2.54cm / - 0							PCB PIEZOTRONICS		
5' ≤ LENGTH < 100' = +6" / - 0	30.5cm ≤ LENGTH < 1.5m = +5.1cm / - 0	AN AMPHENOL COMPANY								
100' ≤ LENGTH = +1' / - 0	1.5m ≤ LENGTH < 30.5m = +15.2cm / - 0	3425 WALDEN AVE. DEPEW, NY 14043								
FILLETS AND RADII .003 - .005	30.5m ≤ LENGTH = +30.5cm / - 0	(716) 684-0001								
FILLETS AND RADII 0.07 - 0.13		E-MAIL: sales@pcb.com								