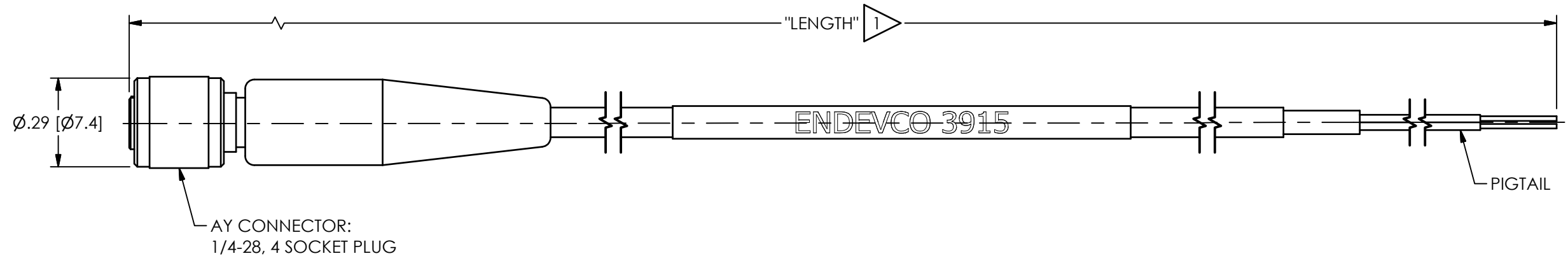


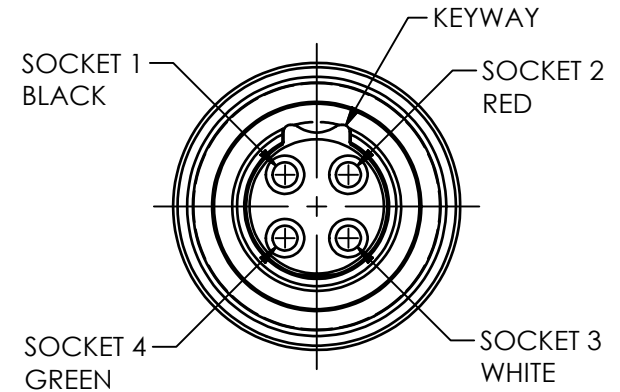
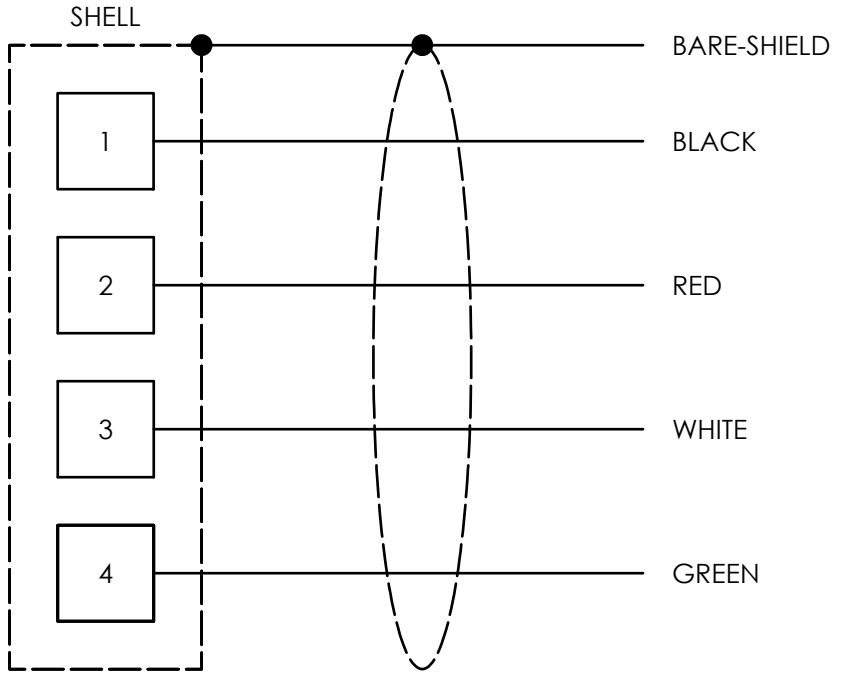
75154

PCB Piezotronics Inc. claims proprietary rights in the information disclosed hereon. Neither it nor any reproduction thereof will be disclosed to others without the written consent of PCB Piezotronics Inc.


REVISIONS		
REV	DESCRIPTION	DIN
NR	RELEASED TO DRAFTING	51939



SCHEMATIC DIAGRAM



1 LENGTH WILL VARY IN FEET OR METERS DEPENDING ON THE MODEL

UNLESS OTHERWISE SPECIFIED TOLERANCES ARE:		DRAWN		CHECKED		ENGINEER		 PCB PIEZOTRONICS OF NC, INC (DBA ENDEVCO) 10869 NC HIGHWAY 903, HALIFAX, NC 27839			
DIMENSIONS IN INCHES DECIMALS XX ±.03 XXX ±.010 ANGLES ± 2 DEGREES		DIMENSIONS IN MILLIMETERS [IN BRACKETS] DECIMALS X ± 0.8 XX ± 0.25 ANGLES ± 2 DEGREES		JJF	7/20/21	JJF	7/20/21		JKN	7/20/21	
CABLE TOLERANCES IN ENGLISH 1' ≤ LENGTH < 1' = +1' / - 0 1' ≤ LENGTH < 5' = +2' / - 0 5' ≤ LENGTH < 100' = +6' / - 0 100' ≤ LENGTH = +1' / - 0		CABLE TOLERANCES IN METRIC 2.54cm ≤ LENGTH < 30.5cm = +2.54cm / - 0 30.5cm ≤ LENGTH < 1.5m = +5.1cm / - 0 1.5m ≤ LENGTH < 30.5m = +15.2cm / - 0 30.5m ≤ LENGTH = +30.5cm / - 0		TITLE OUTLINE DRAWING 3915 CABLE ASSEMBLY LOW-NOISE CABLE W/ 1/4-28 PLUG						CODE IDENT. NO. 8DN13	DWG. NO. 75154
FILLETS AND RADII .003 - .005		FILLETS AND RADII 0.07 - 0.13								SCALE: 2.5X	