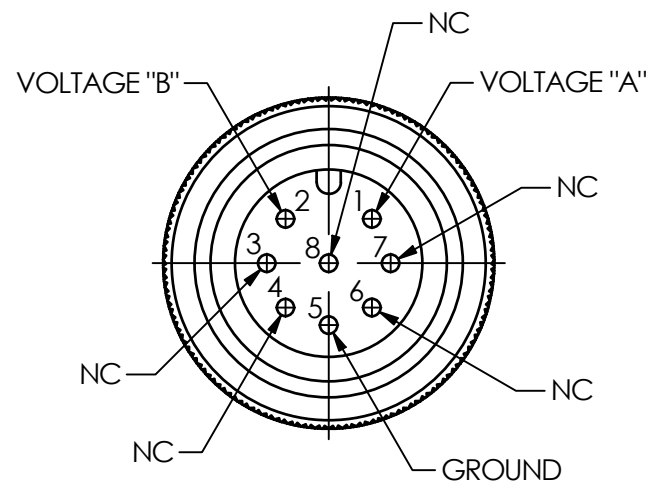
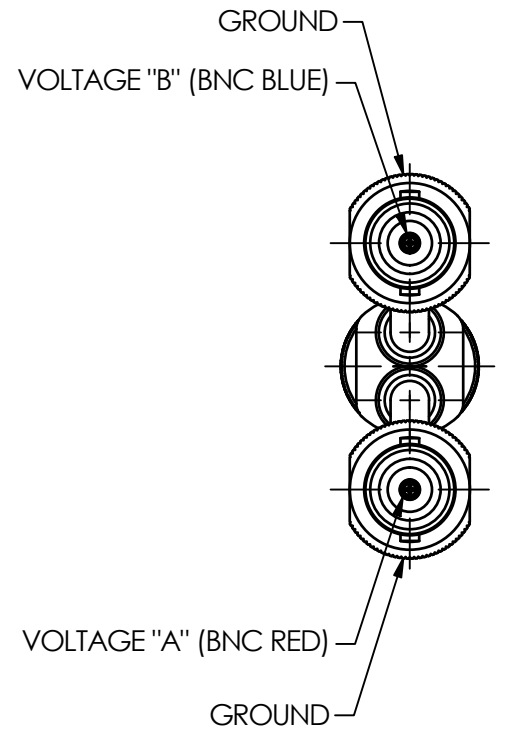
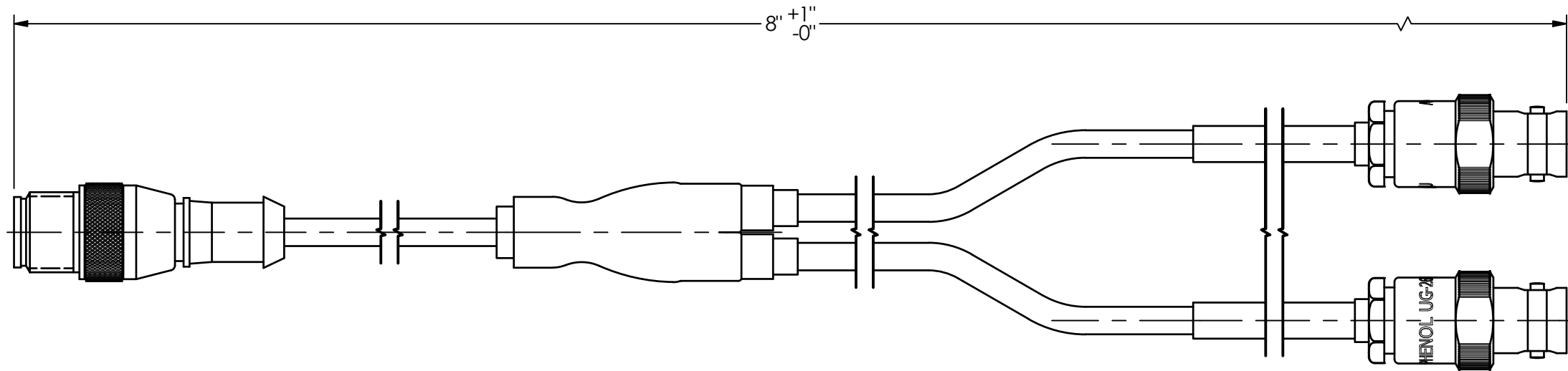


74595

PCB Piezotronics Inc. claims proprietary rights in the information disclosed hereon. Neither it nor any reproduction thereof will be disclosed to others without the written consent of PCB Piezotronics Inc.

REVISIONS		
REV	DESCRIPTION	DIN
NR	RELEASED TO DRAFTING	51629



**PIN OUT
SCALE 3X**

UNLESS OTHERWISE SPECIFIED TOLERANCES ARE:		DRAWN		CHECKED		ENGINEER			
DIMENSIONS IN INCHES	DIMENSIONS IN MILLIMETERS [IN BRACKETS]	JJF	3/30/21	JJF	3/30/21	GGG	3/30/21		
DECIMALS XX ±.03 XXX ±.010	DECIMALS X ±.8 XX ±.25	TITLE OUTLINE DRAWING 042M37 CABLE						CODE IDENT. NO. 52681	DWG. NO. 74595
ANGLES ± 2 DEGREES	ANGLES ± 2 DEGREES							SCALE: 1.25X	
FILLETS AND RADII .003 - .005	FILLETS AND RADII 0.07 - 0.13							 3425 WALDEN AVE. DEPEW, NY 14043 (716) 684-0001 E-MAIL: sales@pcb.com	