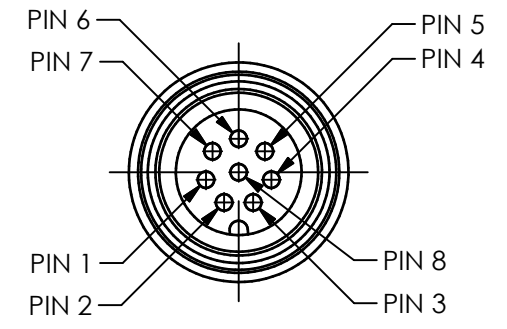
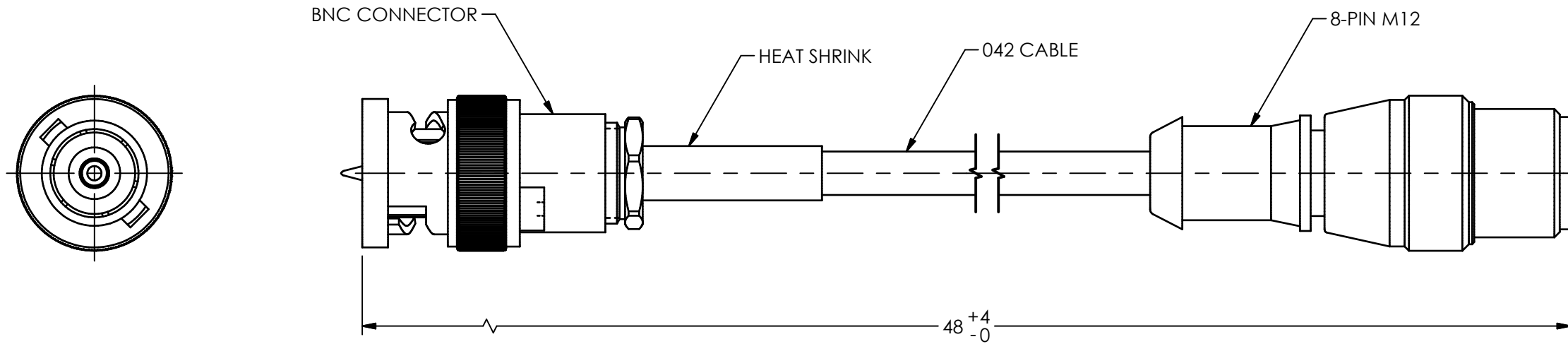


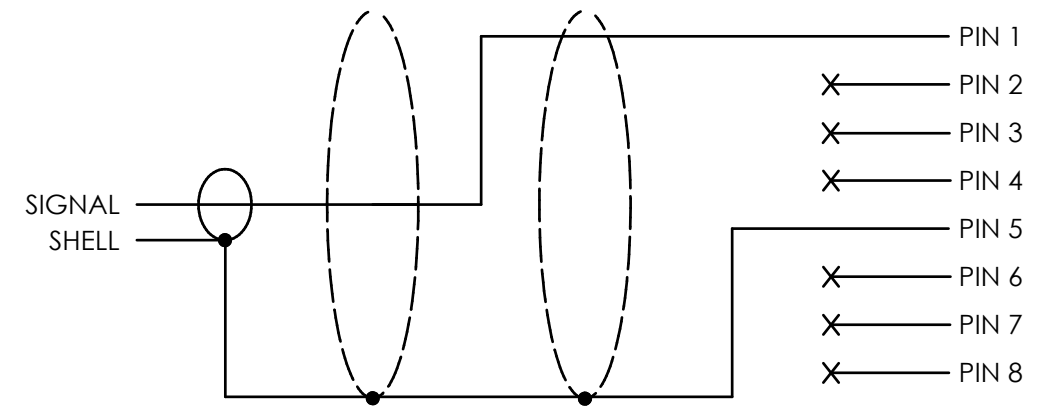
PCB Piezotronics Inc. claims proprietary rights in the information disclosed hereon. Neither it nor any reproduction thereof will be disclosed to others without the written consent of PCB Piezotronics Inc.

72921

REVISIONS		
REV	DESCRIPTION	DIN
A	UPDATED OVERALL LENGTH & TITLE BLOCK	54287



SCHEMATIC DIAGRAM



UNLESS OTHERWISE SPECIFIED TOLERANCES ARE:		DRAWN		CHECKED		ENGINEER	
DIMENSIONS IN INCHES		NJF	10/11/23	JDM	10/11/23	GCD	10/11/23
DECIMALS XX ±.03		TITLE					
XXX ±.010							
ANGLES ± 2 DEGREES							
DIMENSIONS IN MILLIMETERS [IN BRACKETS]		OUTLINE DRAWING MODEL 042M36 CUSTOM CABLE					
DECIMALS X ± 0.8							
XX ± 0.25							
CABLE TOLERANCES IN ENGLISH		PCB PIEZOTRONICS AN AMPHENOL COMPANY 3425 WALDEN AVE. DEPEW, NY 14043 (716) 684-0001 E-MAIL: sales@pcb.com					
1" ≤ LENGTH < 1' = +1"/ - 0							
1' ≤ LENGTH < 5' = +2"/ - 0							
CABLE TOLERANCES IN METRIC		CODE IDENT. NO.		DWG. NO.		SCALE: 1.5X SHEET 1 OF 1	
2.54cm ≤ LENGTH < 30.5cm = +2.54cm/ - 0		52681		72921			
30.5cm ≤ LENGTH < 1.5m = +5.1cm/ - 0							
1.5m ≤ LENGTH < 30.5m = +15.2cm/ - 0							
30.5m ≤ LENGTH = +30.5cm/ - 0							
FILLETS AND RADII .003 - .005							
FILLETS AND RADII 0.07 - 0.13							