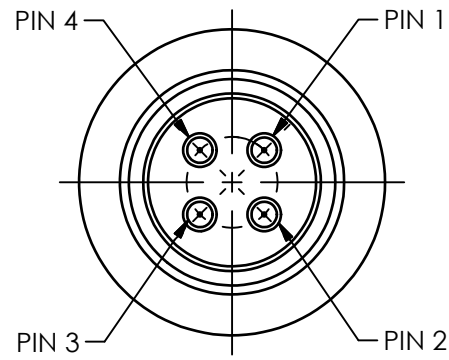


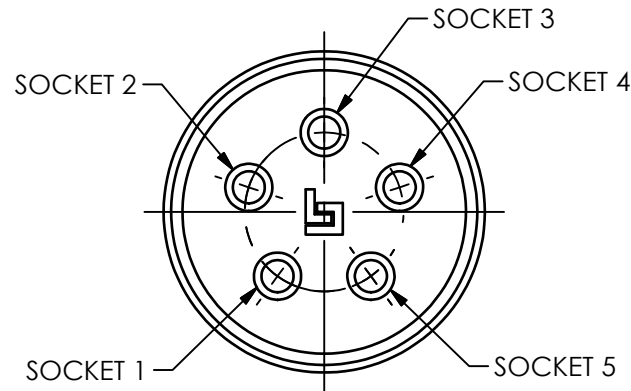
72499

PCB Piezotronics Inc. claims proprietary rights in the information disclosed hereon. Neither it nor any reproduction thereof will be disclosed to others without the written consent of PCB Piezotronics Inc.

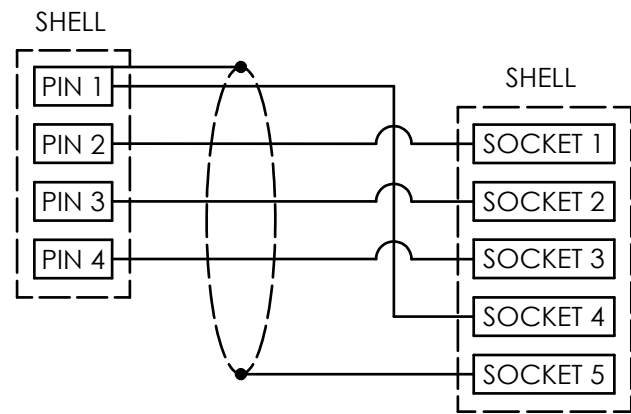
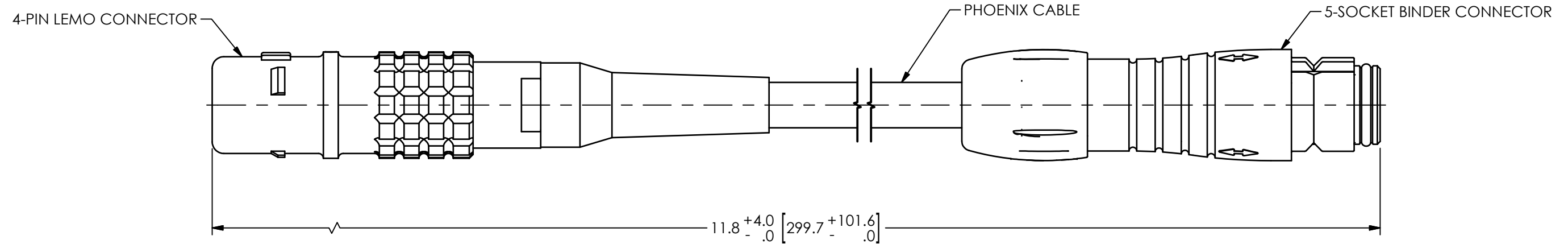
REVISIONS		
REV	DESCRIPTION	DIN
NR	RELEASE TO DRAFTING	50306



4-PIN LEMO CONNECTOR PIN OUT
SCALE 5X



5-SOCKET BINDER CONNECTOR PIN OUT
SCALE 5X



SCHEMATIC DIAGRAM

PIN OUT		
BINDER	LEMO	FUNCTION
SOCKET 1	PIN 2	X
SOCKET 2	PIN 3	Y
SOCKET 3	PIN 4	Z
SOCKET 4	PIN 1	GROUND
SOCKET 5	PIN 1	SHIELD

UNLESS OTHERWISE SPECIFIED TOLERANCES ARE:		DRAWN		CHECKED		ENGINEER	
DIMENSIONS IN INCHES	DIMENSIONS IN MILLIMETERS [IN BRACKETS]	KSR	5/21/20	KSR	5/21/20	GP	5/21/20
DECIMALS XX ±.03 XXX ±.010	DECIMALS X ±0.8 XX ±0.25	TITLE OUTLINE DRAWING MODEL 097M04					
ANGLES ± 2 DEGREES	ANGLES ± 2 DEGREES						
FILLETS AND RADII .003 - .005	FILLETS AND RADII 0.07 - 0.13	CODE IDENT. NO. 52681		DWG. NO. 72499		SCALE: 2.5X SHEET 1 OF 1	

PCB PIEZOTRONICS™
3425 WALDEN AVE. DEPEW, NY 14043
(716) 684-0001 E-MAIL: sales@pcb.com