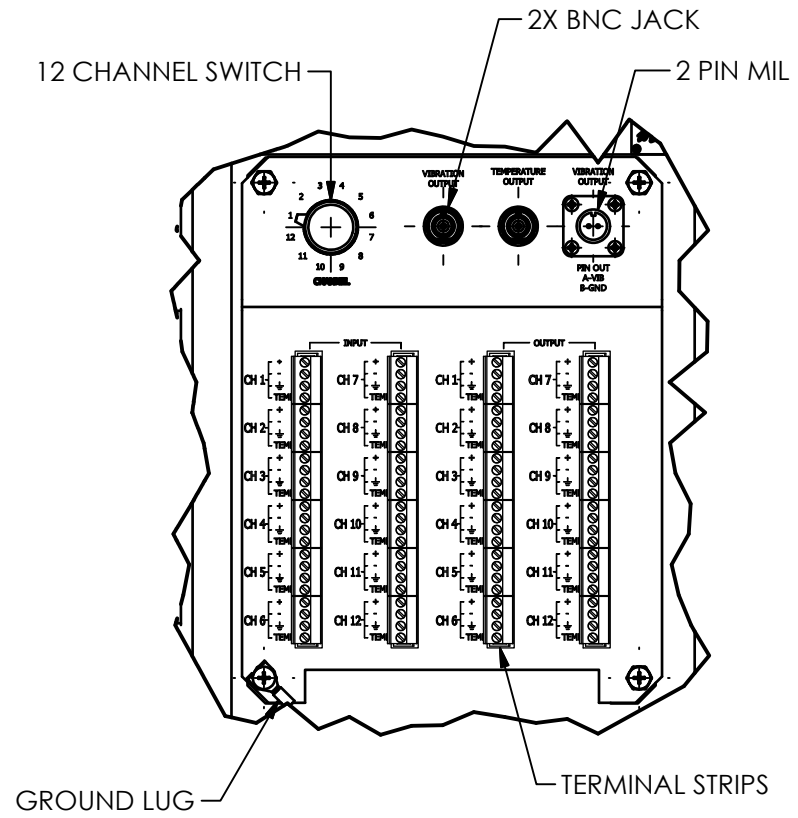
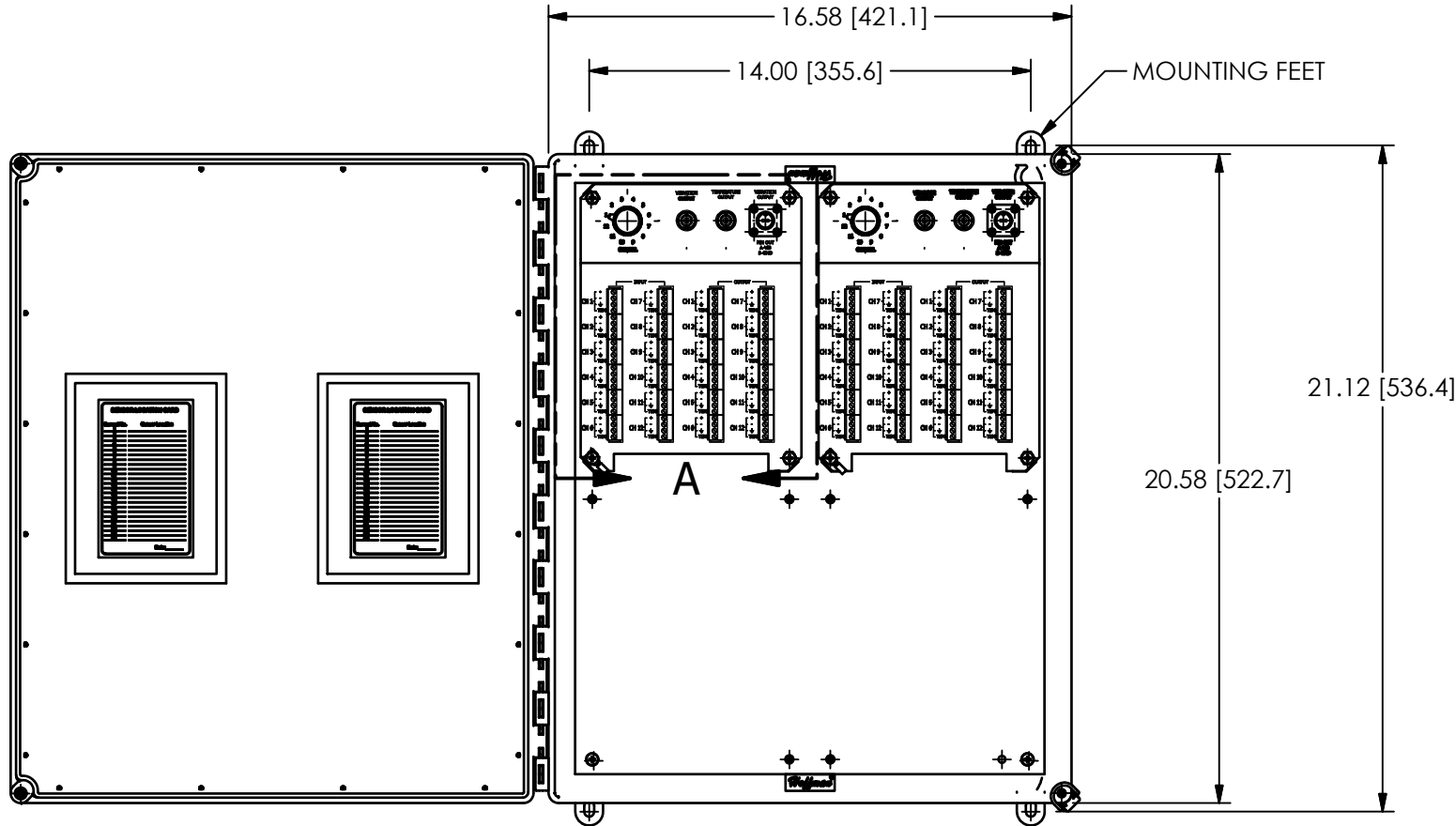


PCB Piezotronics Inc. claims proprietary rights in the information disclosed hereon. Neither it nor any reproduction thereof will be disclosed to others without the written consent of PCB Piezotronics Inc.

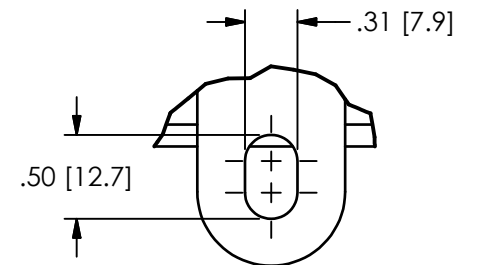
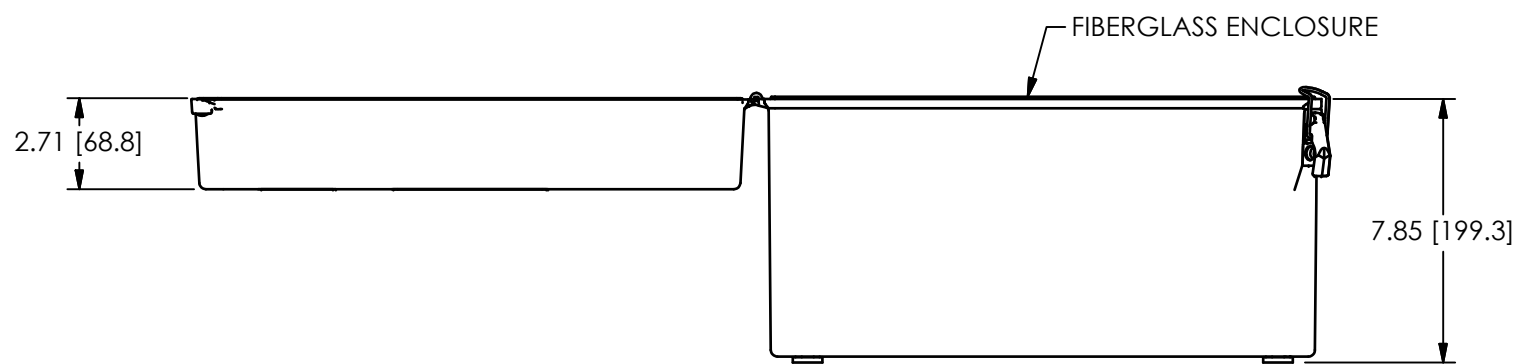
70851

REVISIONS

REV	DESCRIPTION	DIN
NR	RELEASED TO DRAFTING	50973



2X DETAIL A
SCALE .3125X



4X MOUNTING FEET
SCALE .875X

UNLESS OTHERWISE SPECIFIED TOLERANCES ARE:		DRAWN		CHECKED		ENGINEER			
DIMENSIONS IN INCHES	DIMENSIONS IN MILLIMETERS [IN BRACKETS]	KSR	8/25/20	KSR	8/25/20	GGG	8/25/20		
DECIMALS XX ±.03 XXX ±.010	DECIMALS X ±0.8 XX ±0.25	TITLE OUTLINE DRAWING MODEL 691C44 24 CHANNEL SWITCH BOX						CODE IDENT. NO. 52681	DWG. NO. 70851
ANGLES ± 2 DEGREES	ANGLES ± 2 DEGREES							SCALE: .175X	SHEET 1 OF 1
FILLETS AND RADII .003 - .005	FILLETS AND RADII 0.07 - 0.13	PCB PIEZOTRONICS™ 3425 WALDEN AVE. DEPEW, NY 14043 (716) 684-0001 E-MAIL: sales@pcb.com							