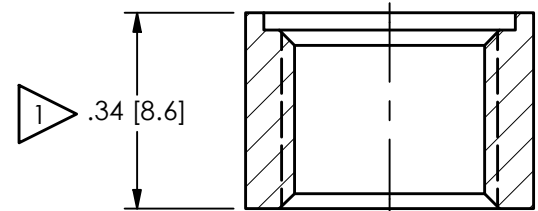
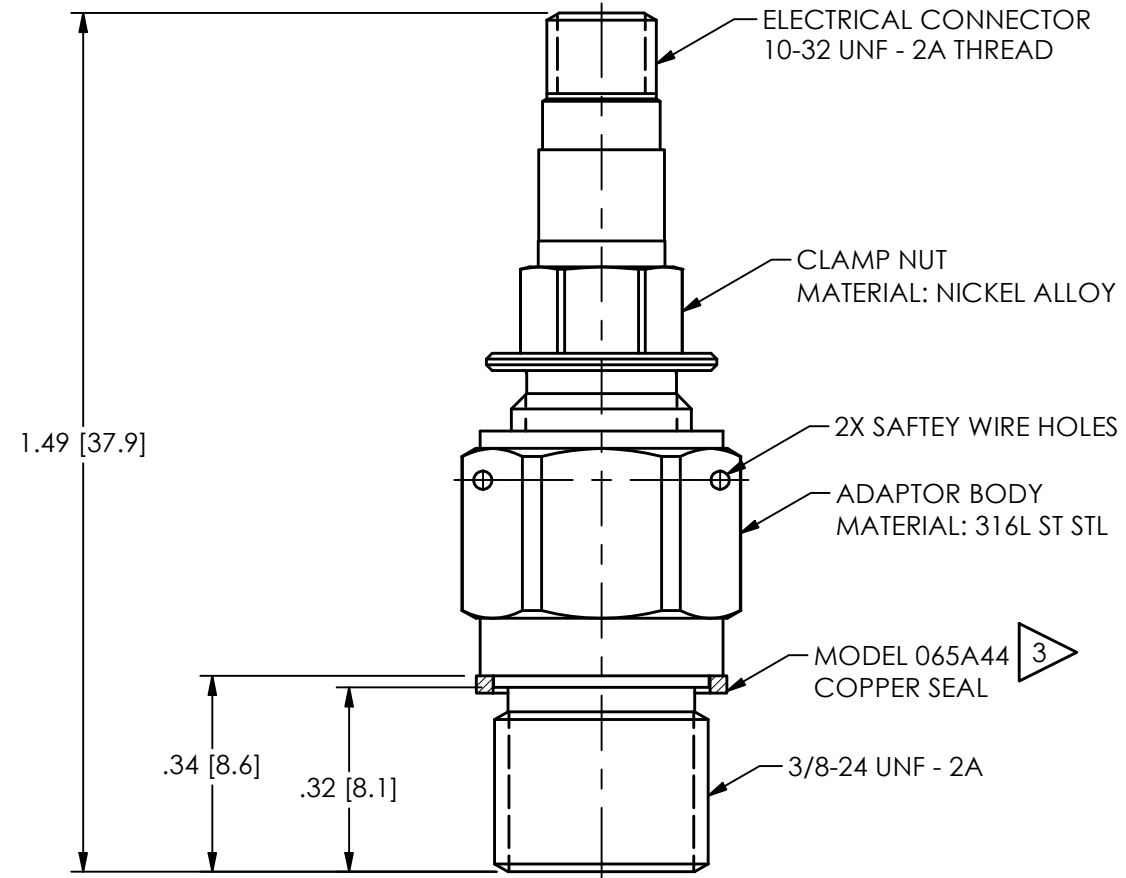
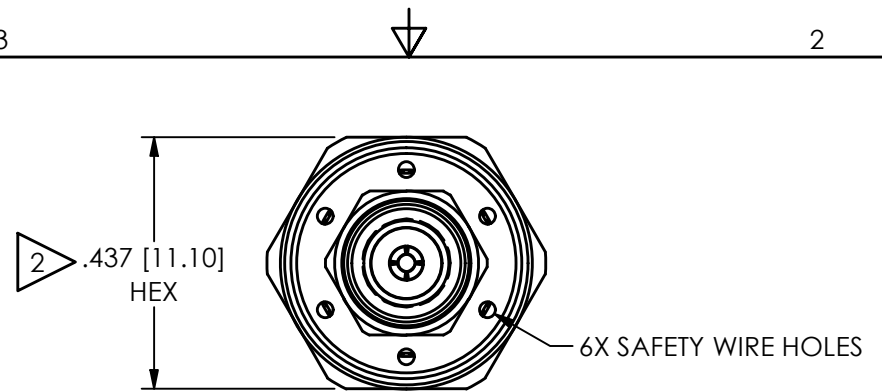


PCB Piezotronics Inc. claims proprietary rights in the information disclosed hereon. Neither it nor any reproduction thereof will be disclosed to others without the written consent of PCB Piezotronics Inc.

70414

REVISIONS		
REV	DESCRIPTION	DIN
B	ADDED TOLERANCE TO Ø.437 & UPDATED NOTE	55392



MOUNTING HOLE PREPARATION:  
 Ø.332 [8.43] THRU  
 □Ø.437±.001 [11.10 ±.03] ▽.030 [.76]  
 3/8-24 UNF-2B THRU

- 3 MODEL 065M29 ST STL SEAL AVAILABLE
- 2 MOUNTING TORQUE ON 7/16 HEX: 5 - 8 FT LBS [6.78 - 10.85 Nm] WITHOUT THREAD LUBRICANT
- 1 ABOVE INSTALLATION SHOWN FOR WALL THICKNESS OF .34 [8.6] THICK, □ THICKER WALLS Ø.75 [19.0] TO CLEAR .437 [11.10] HEX AND ALLOW FOR SOCKET WRENCH

UNLESS OTHERWISE SPECIFIED TOLERANCES ARE:		DRAWN		CHECKED		ENGINEER		PCB PIEZOTRONICS		
DIMENSIONS IN INCHES		AME		JDM		MJP		AN AMPHENOL COMPANY		
DECIMALS	XX ±.01 XXX ±.005	11/22/24	11/22/24	11/22/24	11/22/24	3425 WALDEN AVE. DEPEW, NY 14043 (716) 684-0001 E-MAIL: sales@pcb.com				
CABLE TOLERANCES IN ENGLISH		TITLE INSTALLATION DRAWING CRYOGENIC GROUND ISOLATED ICP® PRESSURE SENSOR						CODE IDENT. NO.	SIZE	DWG. NO.
CABLE TOLERANCES IN METRIC								52681	B	70414
FILLETS AND RADII .003 - .005		SCALE: 3X						SHEET 1 OF 1		