

2

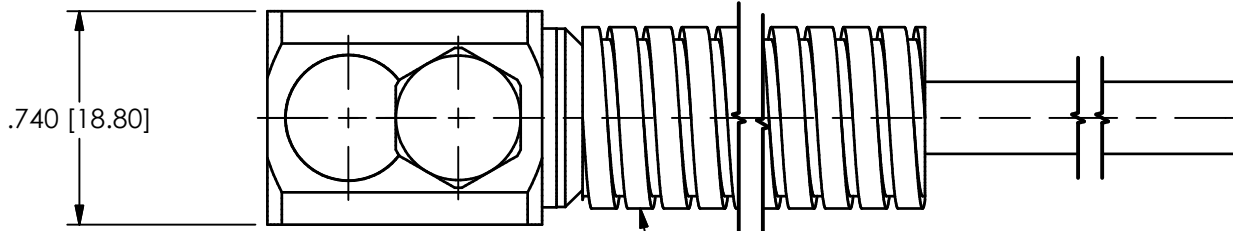
1

PCB Piezotronics Inc. claims proprietary rights in the information disclosed hereon. Neither it nor any reproduction thereof will be disclosed to others without the written consent of PCB Piezotronics Inc.

REVISIONS

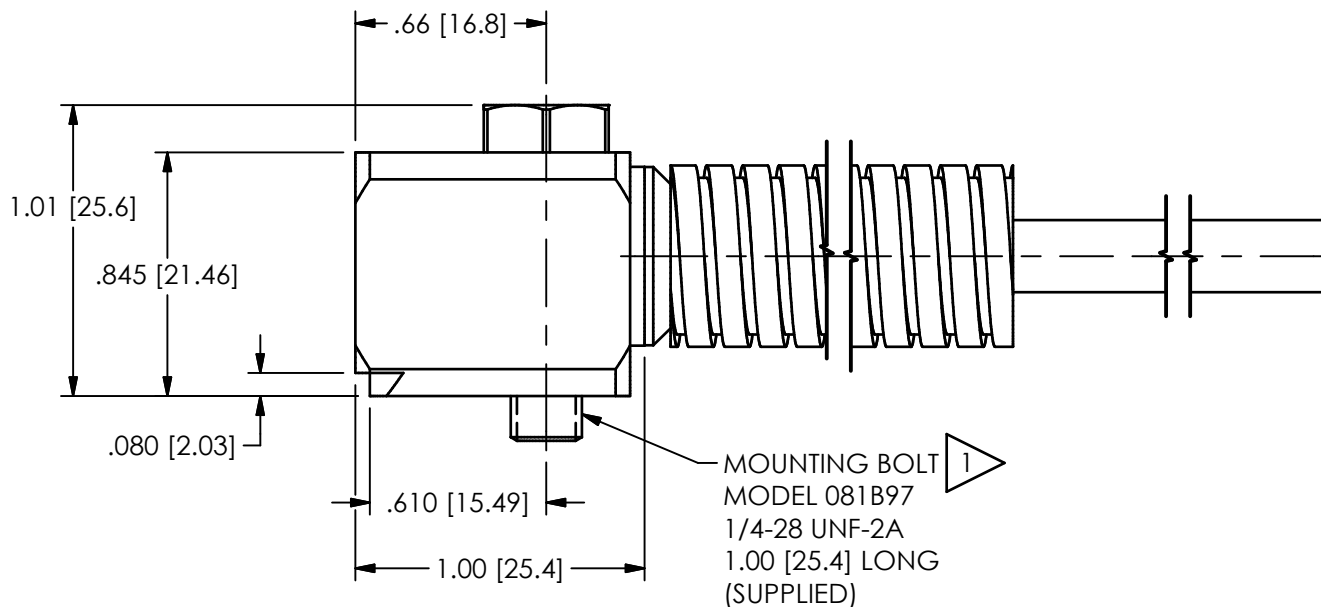
REV	DESCRIPTION	DIN
A	UPDATED HOUSING TO 70803-01	54005

59946



MOLDED INTEGRAL 4 CONDUCTOR CABLE. CABLE LENGTH & TERMINATION PER TOP LEVEL MODEL

WIRE COLOR REFERENCE	
RED	ACCELERATION
BLACK	GROUND
GREEN	GROUND
WHITE	TEMPERATURE



MOUNTING BOLT MODEL 081B97 1/4-28 UNF-2A 1.00 [25.4] LONG (SUPPLIED)

1 FOR METRIC ACCELEROMETER (MODEL TOM602D11) USE MOUNTING BOLT MODEL M081B97, M6x1.0 - 6g X 1.00 [25.4] LONG

UNLESS OTHERWISE SPECIFIED TOLERANCES ARE:

DRAWN CHECKED ENGINEER

DIMENSIONS IN INCHES	DIMENSIONS IN MILLIMETERS [IN BRACKETS]
DECIMALS XX ±.03	DECIMALS X ±0.8
XXX ±.010	XX ±0.25
ANGLES ± 2 DEGREES	ANGLES ± 2 DEGREES

NJF	04/13/20	ECB	09/26/14	GCD	09/26/14
-----	----------	-----	----------	-----	----------

PCB PIEZOTRONICS
AN AMPHENOL COMPANY

3425 WALDEN AVE. DEPEW, NY 14043
(716) 684-0001 E-MAIL: sales@pcb.com

OUTLINE DRAWING
ACCELEROMETER

CODE IDENT. NO.	DWG. NO.
52681	59946

CABLE TOLERANCES IN ENGLISH	CABLE TOLERANCES IN METRIC
1" ≤ LENGTH < 1' = +1"/ - 0	2.54cm ≤ LENGTH < 30.5cm = +2.54cm/ - 0
1' ≤ LENGTH < 5' = +2"/ - 0	30.5cm ≤ LENGTH < 1.5m = +5.1cm/ - 0
5' ≤ LENGTH < 100' = +6"/ - 0	1.5m ≤ LENGTH < 30.5m = +15.2cm/ - 0
100' ≤ LENGTH = +1'/ - 0	30.5m ≤ LENGTH = +30.5cm/ - 0

FILLETS AND RADII	FILLETS AND RADII
.003 - .005	0.07 - 0.13

SCALE: 1.5X SHEET 1 OF 1

2

1