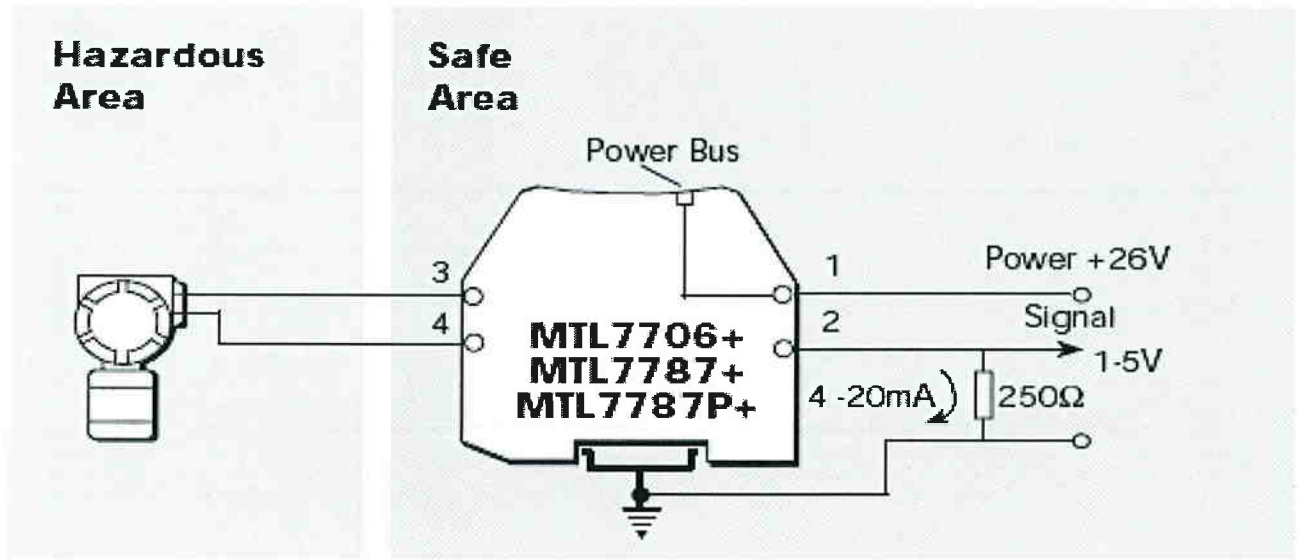
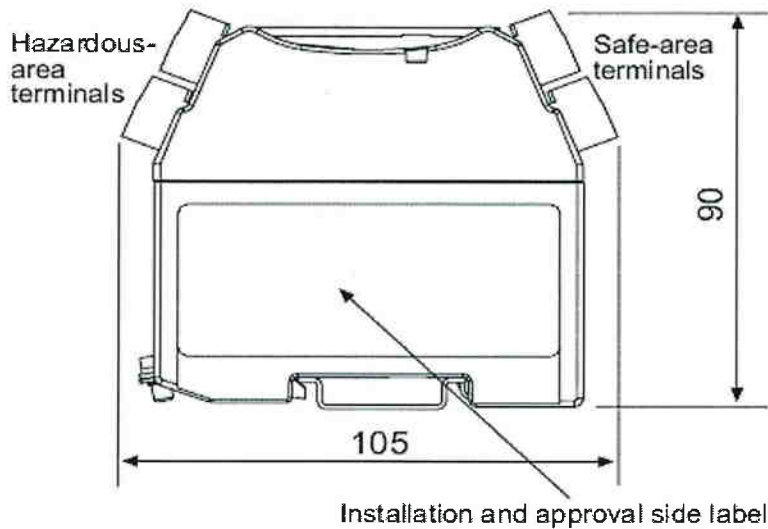


38906

PCB Piezotronics Inc. claims proprietary rights in the information disclosed hereon. Neither it nor any reproduction thereof will be disclosed to others without written consent of PCB Piezotronics Inc.

REVISIONS				
REV	DESCRIPTION	ECN	DATE	APP'D
NR	RELEASED TO DRAFTING		10/29/07	Dm 10/29/07



UNLESS SPECIFIED TOLERANCES						PCB PIEZOTRONICS™	
DIMENSIONS IN INCHES	DIMENSIONS IN MILLIMETERS [IN BRACKETS]	DRAWN	mDF	10/29/07	MFG	JB	10/29/07
DECIMALS XX ±.03	DECIMALS X ±0.8	CHK'D	Dm	10/29/07	ENGR	ME	10/29/07
XXX ±.010	XX ±0.25	APP'D	DR	10/30/07	SALES	DR	10/29/07
ANGLES ±2 DEGREES	ANGLES ±2 DEGREES	TITLE		OUTLINE DRAWING		CODE IDENT. NO.	DWG. NO.
FILLETS AND RADII .003 - .005	FILLETS AND RADII [0.07 - 0.13]			MODEL 691B70		52681	38906
DD011 REV. C 01/21/03				4-20mA SHUNT DIODE SAFETY BARRIER		SCALE: FULL	SHEET 1 OF 1