

24650

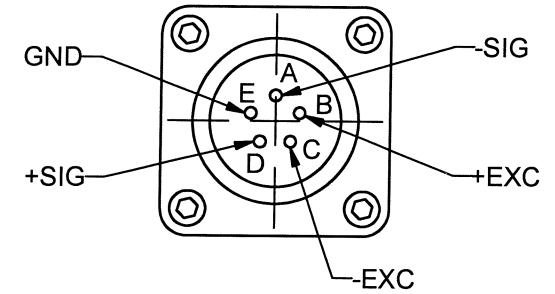
APPLICATION

NEXT ASS'Y	USED ON	VAR

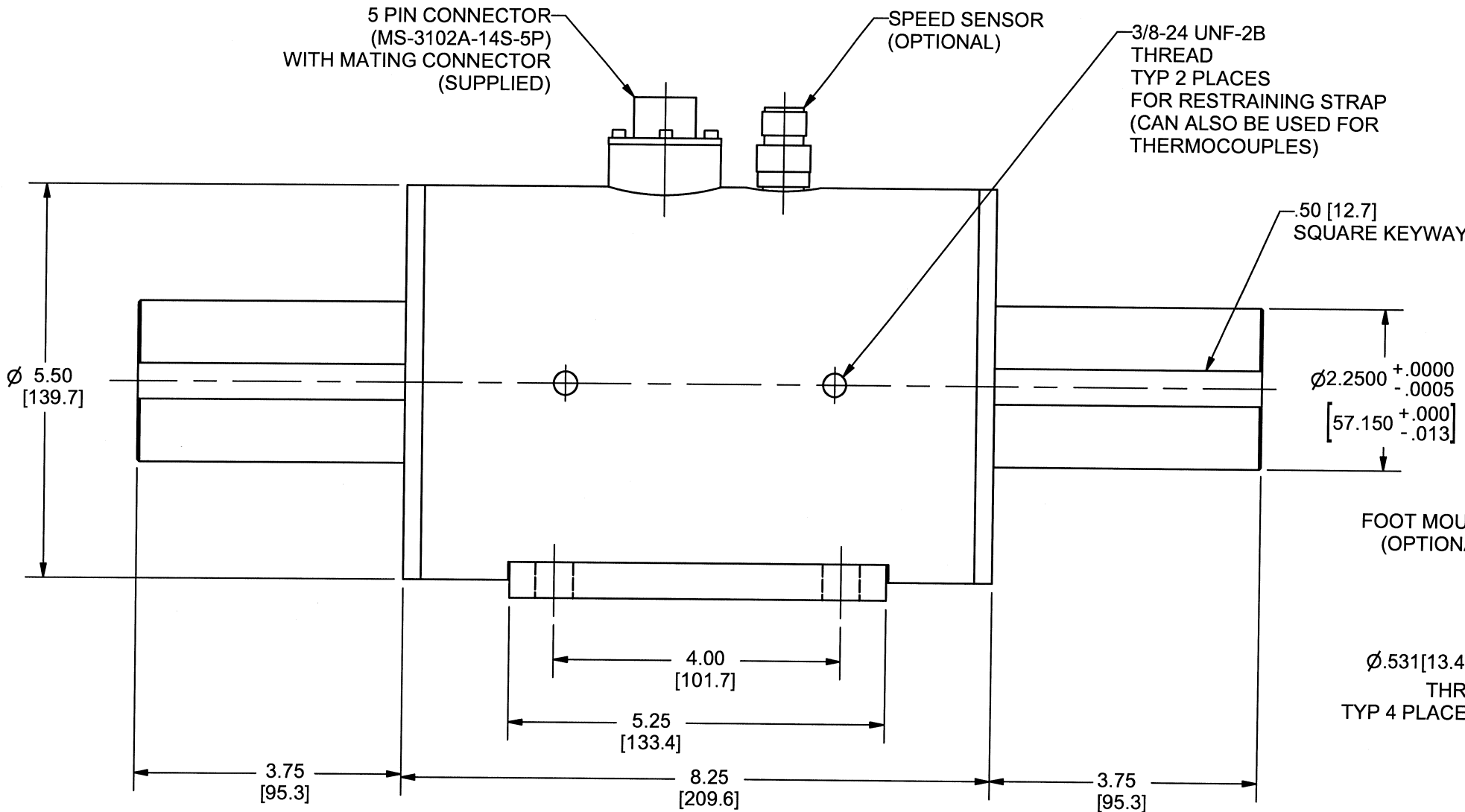
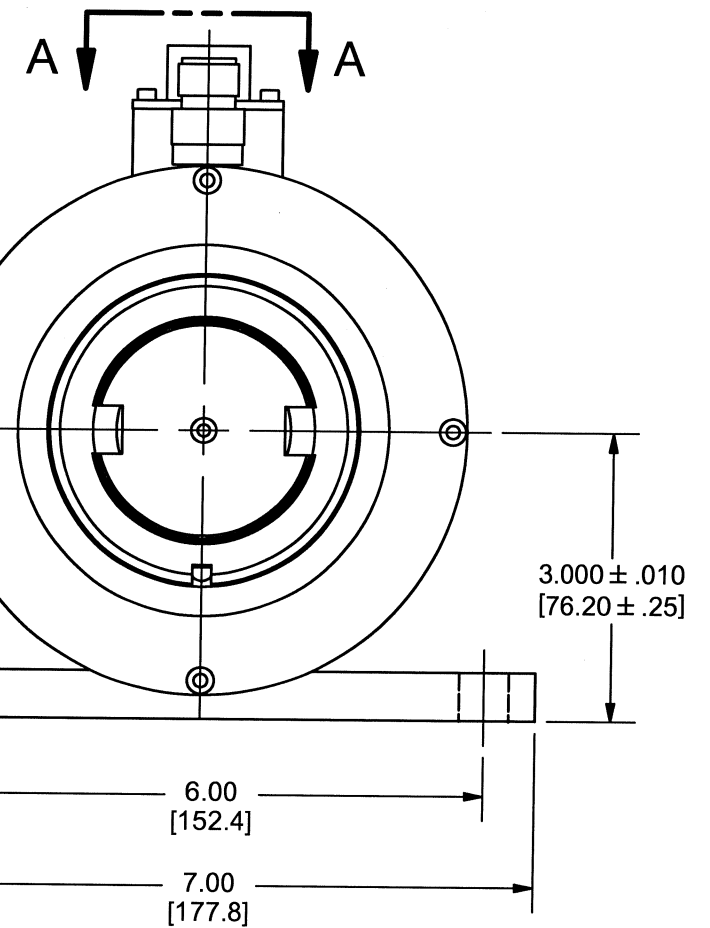
PCB Piezotronics Inc. claims proprietary rights in the information disclosed hereon. Neither it nor any reproduction thereof will be disclosed to others without the written consent of PCB Piezotronics Inc.

REVISIONS

REV	DESCRIPTION	ECN	APP'D
NR	RELEASED TO DRAFTING		<i>RM/12/03</i>



VIEW A-A



UNLESS OTHERWISE SPECIFIED TOLERANCES ARE:

DIMENSIONS IN INCHES	DIMENSIONS IN MILLIMETERS [IN BRACKETS]
DECIMALS XX ± .01 XXX ± .005	DECIMALS X ± 0.3 XX ± 0.13
ANGLES ± 2 DEGREES	ANGLES ± 2 DEGREES
FILLETS AND RADII .003 - .005	FILLETS AND RADII [0.07 - 0.13]

DRAWN	<i>ORM</i> 12/4/03	MFG	<i>BS</i> 12/4/03
CHK'D	<i>ORM</i> 12/4/03	ENGR	<i>DRB</i> 12/4/03
APP'D	<i>mgic</i> 12/4/03	SALES	<i>KWV</i> 12/4/03

TITLE
**OUTLINE DRAWING
 MODEL 4106 SERIES
 ROTATING TORQUE SENSOR**

PCB PIEZOTRONICS
 3425 WALDEN AVE. DEPEW, NY 14043
 (716) 684-0001 E-MAIL: sales@pcb.com

CODE IDENT. NO. 52681
 DWG. NO. **24650**

SCALE: 1/2 SHEET 1 OF 1