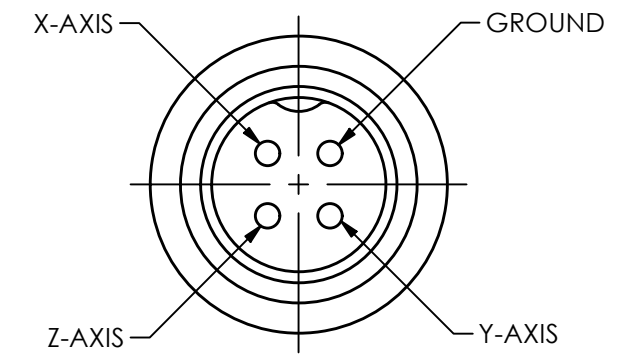
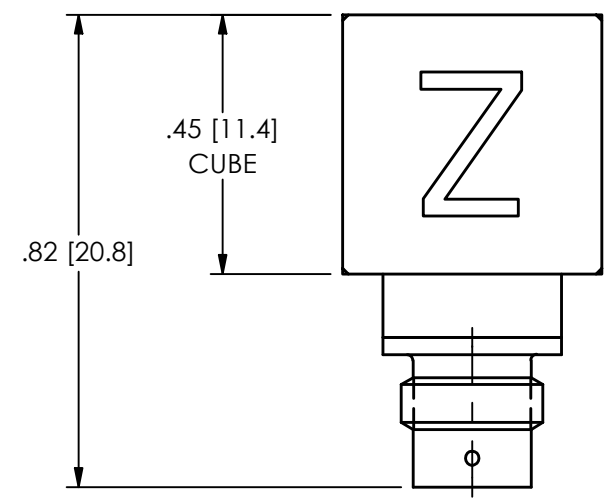


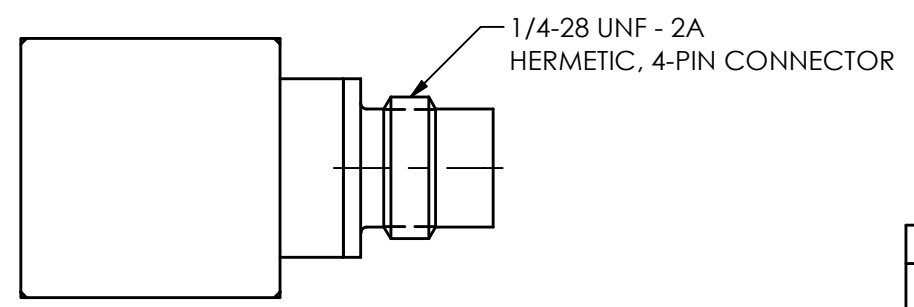
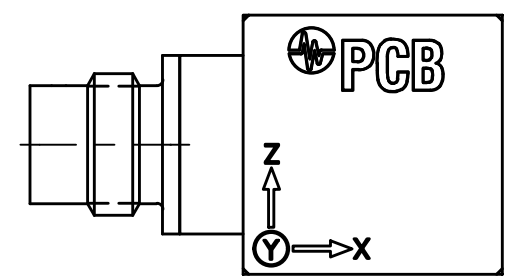
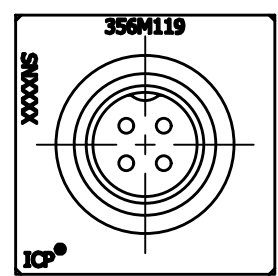
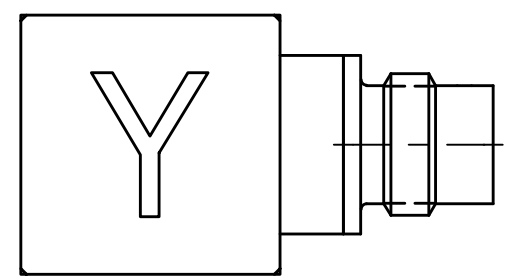
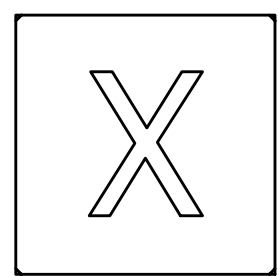
PCB Piezotronics Inc. claims proprietary rights in the information disclosed hereon. Neither it nor any reproduction thereof will be disclosed to others without the written consent of PCB Piezotronics Inc.

21176

REVISIONS		
REV	DESCRIPTION	DIN
C	REMOVED TEDS OPTIONS	55181



CONNECTOR PIN DESIGNATION
SCALE 5X



UNLESS OTHERWISE SPECIFIED TOLERANCES ARE:		DRAWN		CHECKED		ENGINEER		PCB PIEZOTRONICS		
DIMENSIONS IN INCHES		AME	11/18/24	JDM	11/18/24	SDS	11/18/24	AN AMPHENOL COMPANY		
DECIMALS XX ±.03 XXX ±.010		TITLE						3425 WALDEN AVE. DEPEW, NY 14043		
ANGLES ± 2 DEGREES								(716) 684-0001 E-MAIL: sales@pcb.com		
CABLE TOLERANCES IN ENGLISH		OUTLINE DRAWING .45" CUBE W/ 1/4-28 4-PIN CONNECTOR TRIXIAL ACCELEROMETER						CODE IDENT. NO.	SIZE	DWG. NO.
1" ≤ LENGTH < 1' = +1' / - 0								52681	B	21176
1' ≤ LENGTH < 5' = +2' / - 0		SCALE: 3X						SHEET 1 OF 1		
5' ≤ LENGTH < 100' = +6' / - 0										
100' ≤ LENGTH = +1' / - 0		FILLETS AND RADII		FILLETS AND RADII						
.003 - .005		0.07 - 0.13								